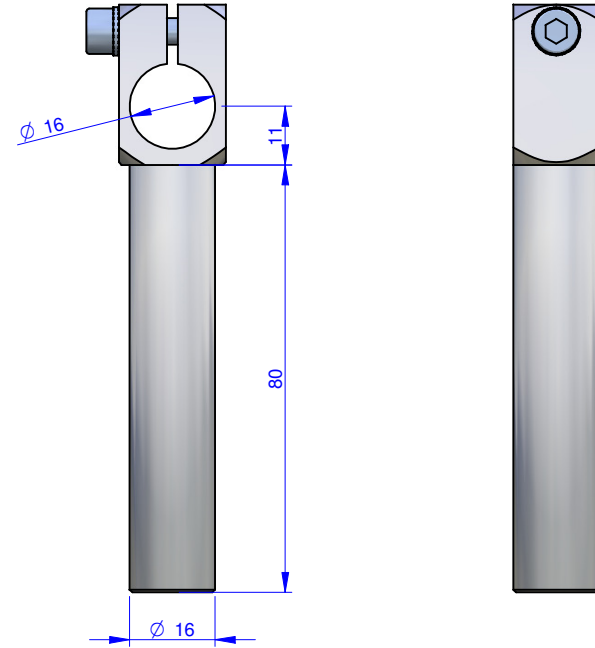
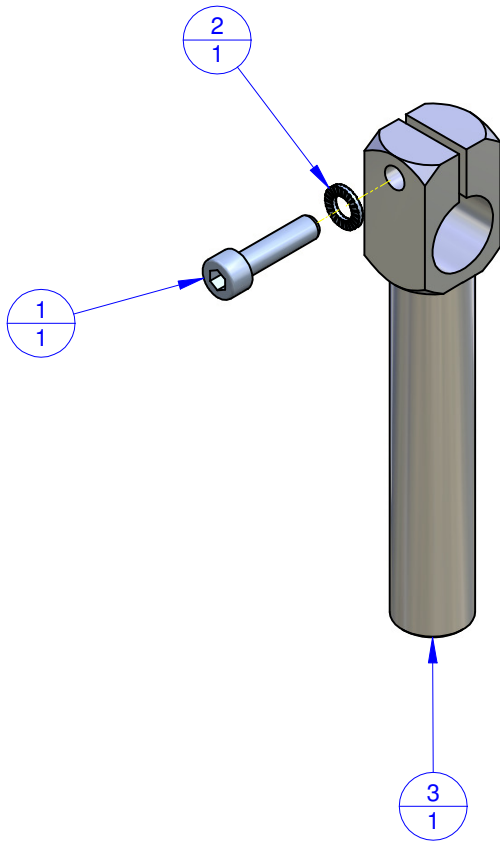


THE PROPERTY OF THIS DRAWING IS ESTABLISHED BY LAW
IT IS FORBIDDEN TO REPRODUCE IT OR SHOW IT TO THIRD PARTY
WITHOUT A WRITTEN AGREEMENT.



Object Number	Name	QTY
1	V.TCE5X20	1
2	R.5.SCH	1
3	WKA.16.16.80	1

MODIFICATIONS: VARIED DIMENSIONS AS OF DATE:

7	10
8	11
9	12

MODIFICATIONS: VARIED DIMENSIONS AS OF DATE:

1	4
2	5
3	6

Format **A3**
UNI 936-76

<p>FP Services</p> <p>GENERAL TOLERANCE: UNI - ISO 2768 CLASSE f</p>			DESIGNED FROM	
			FPSERVICES	
DESCRIPTION		DATE	WEIGHT	
		10/2013	0,034 kg	
		CODE		
		CA.WKA.16.16.80		

